

KIT SW850

SWING GATE OPENERS

USER MANUAL



WE IMPROVE YOUR LIFE



KIT SW850

SWING GATE OPENERS

Contents

Introduction



Step 1	Specification.....	2
Step 2	Packing List.....	3
Step 3	Planning Installation Guide.....	4-5
Step 4	Quick Installation Guide.....	6-9
Step 5	Accessories Series Guide.....	10

Step 1

KIT SW850 SWING GATE OPENERS

Specification



M6 Control box



SW850 Gate openers

- Back-up batteries for power failure operation.
- Incorporated radio receiver can be matched with 50 transmitters.
- Safe design to prevent PCB burned for wrong wiring connection.
- Over-current function meets European safety requirements.
- Modern appearance and easy installation.
- (Off, 30sec) 2 modes of gate auto-close setting.
- 24V DC electro-mechanical gear motors for residential use.
- Planetary gear provides durability and silence in motor operation.
- IP54 protection level for the gear motor
- Slowdown during opening and closing phase.
- One leaf or two leaves installation is optional

Model	SW850 Series
Driving method:	Screw driven piston type
Operating Voltage:	DC24V for normal speed
	DC12V for cushioning speed
Max.Output power:	80W per driver
Max.piston stroke:	33cm
Max.piston speed:	25 cm/sec
Operating cycle:	10second per 90(approx)
Max. single-leaf weight	300kg per wing
Max. single-leaf length	2.5M
DSPS device	Electronic timing tracker
Gearbox	Planetary gear
Safety clutch	Electronic current sensing
Limit Switch	without
Backup battery	12V I(5.2 or 7.0AH)
Safety barrier	Infrared sensor(optional)
Main supply	AC110V/220V,60Hz/50Hz
Electronic controller:	Microcomputer based
Remote controller:	UHF Digital PWM type
Temperature:	-20 to +80C
Protection Class:	IP54












Safety • Auto Reverse function

When gate encounter an obstacle at opening or closing
ARS Function(Automation Reversing System)

Step 2

KIT SW850 **SWING GATE OPENERS**

Packing List

- | | | |
|----------|---|------------------------------|
| A |  | SW850 Motor(DC24V)2pcs |
| B |  | Wall Bracket.....4pcs |
| C |  | "T" Bracket.....2pcs |
| D |  | "L" Bracket.....2pcs |
| E |  | Hold Pin.....2pcs |
| F |  | "R" Click.....2pcs |
| G |  | M8 Screw.....6pcs |
| H |  | M8 Nut.....6pcs |
| I |  | Stopper.....1pcs |

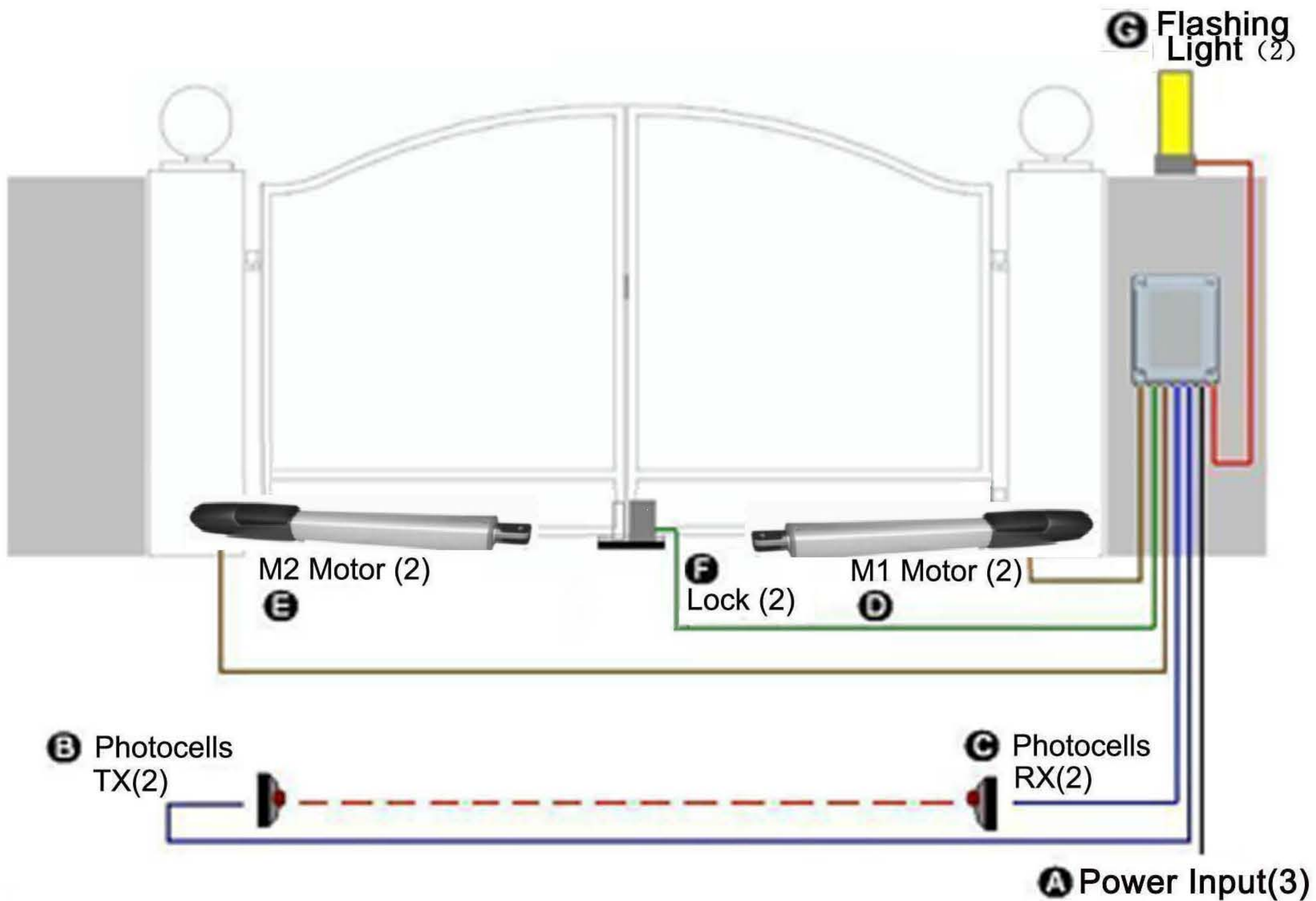
— Selectable

Step 3

KIT SW850

SWING GATE OPENERS

Planning Installation Guide



NO.	Item	Voltage	Wire	Remark
A	Power	AC230V	3	16AWG
B	Photocells TX	DC12V or AC24V	2	22AWG
C	Photocells RX	DC12V or AC24V	2	22AWG
D	M1 Motor	DC24V	2	18AWG
E	M2 Motor	DC24V	2	18AWG
F	Lock	DC12V or AC24V	2	18AWG
G	Flashing Light	DC24V	2	22AWG

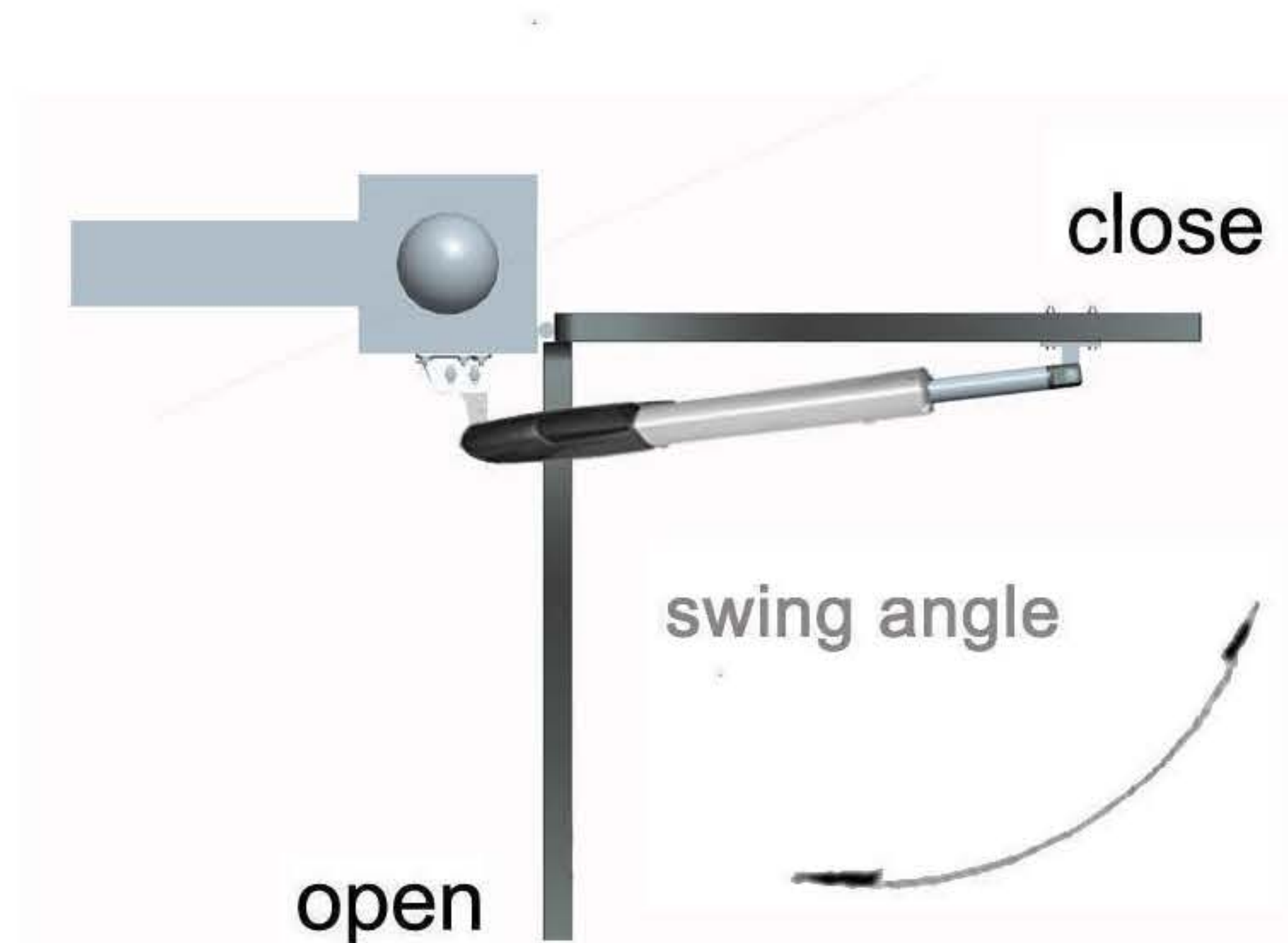
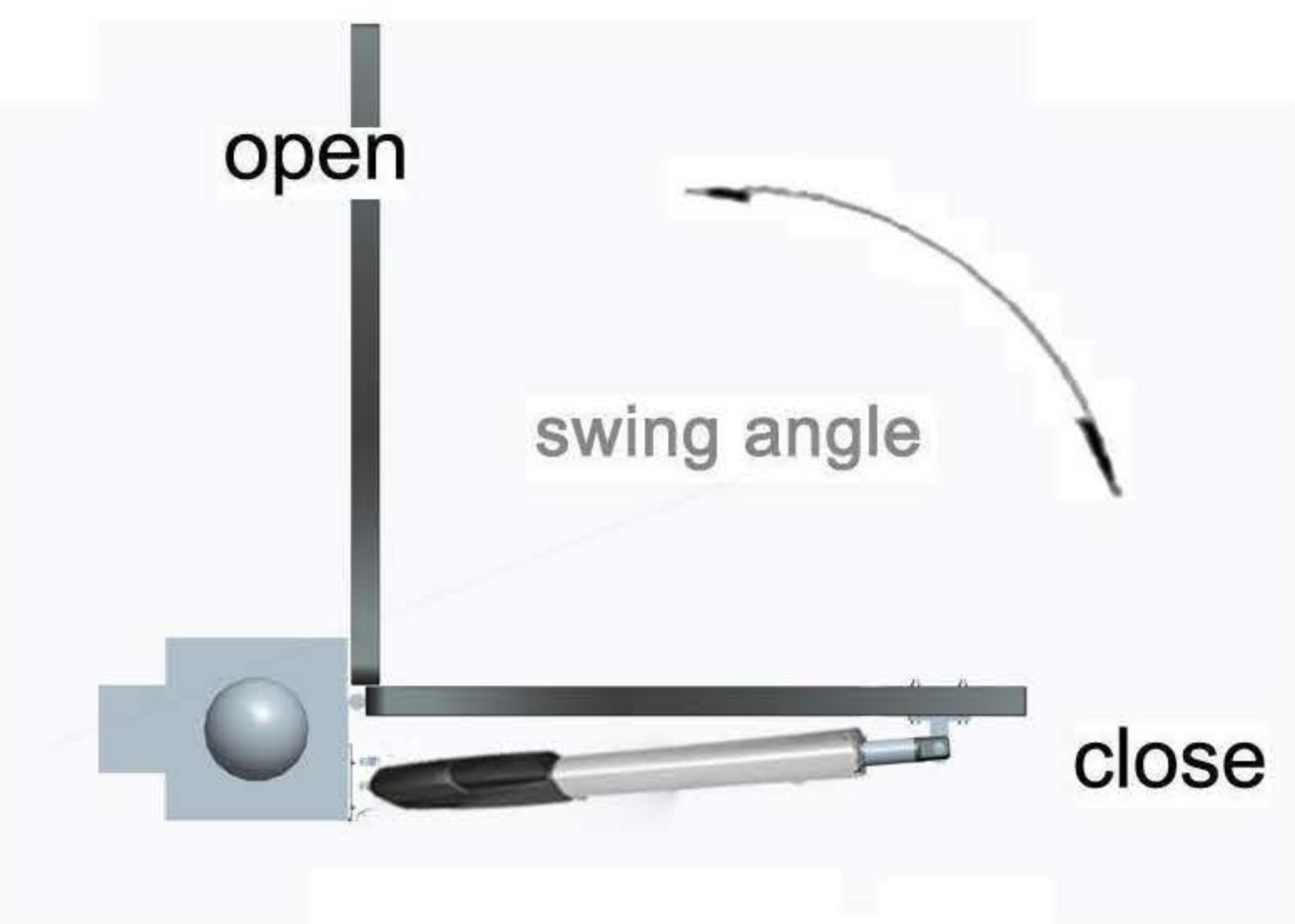
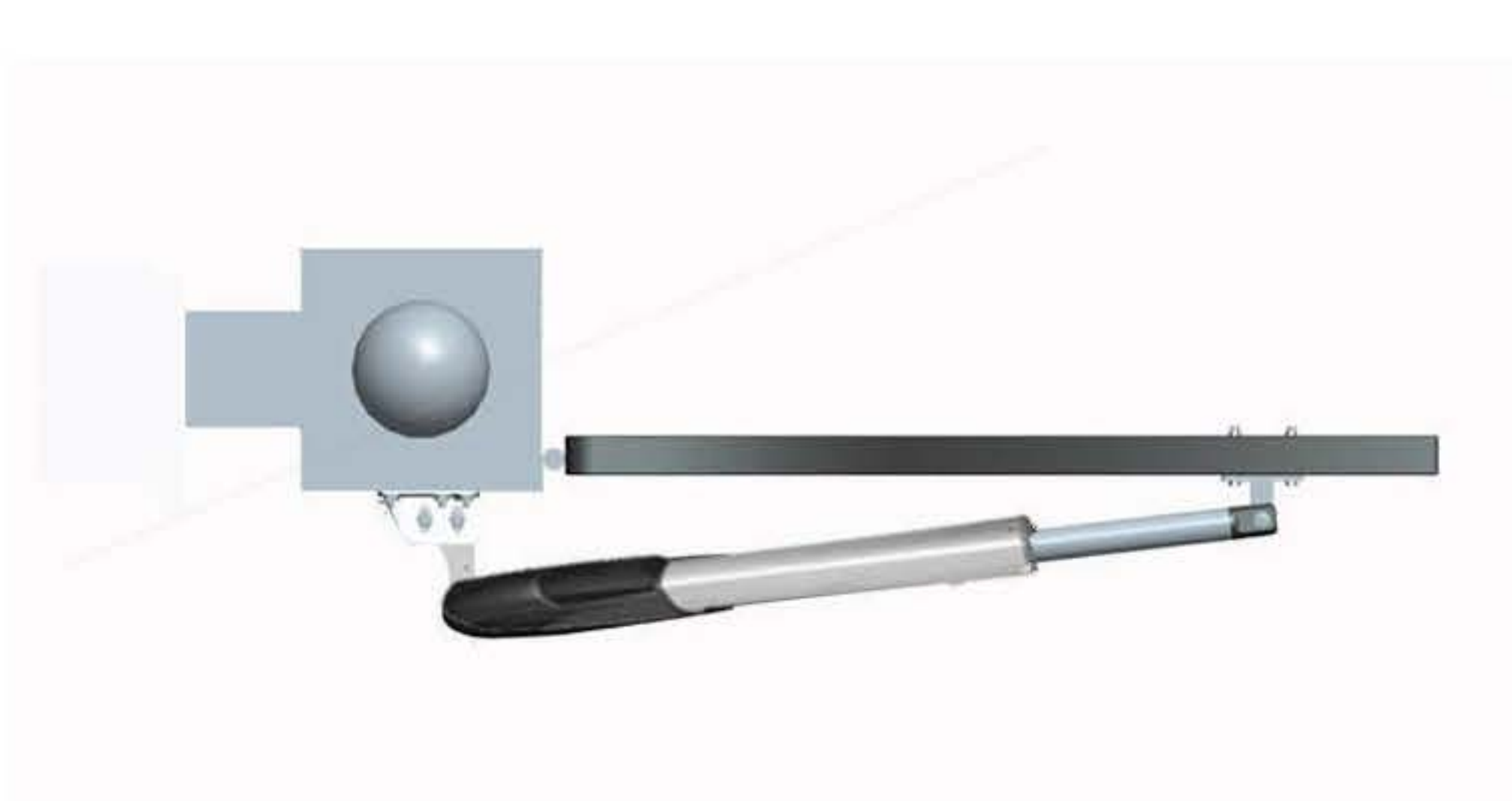
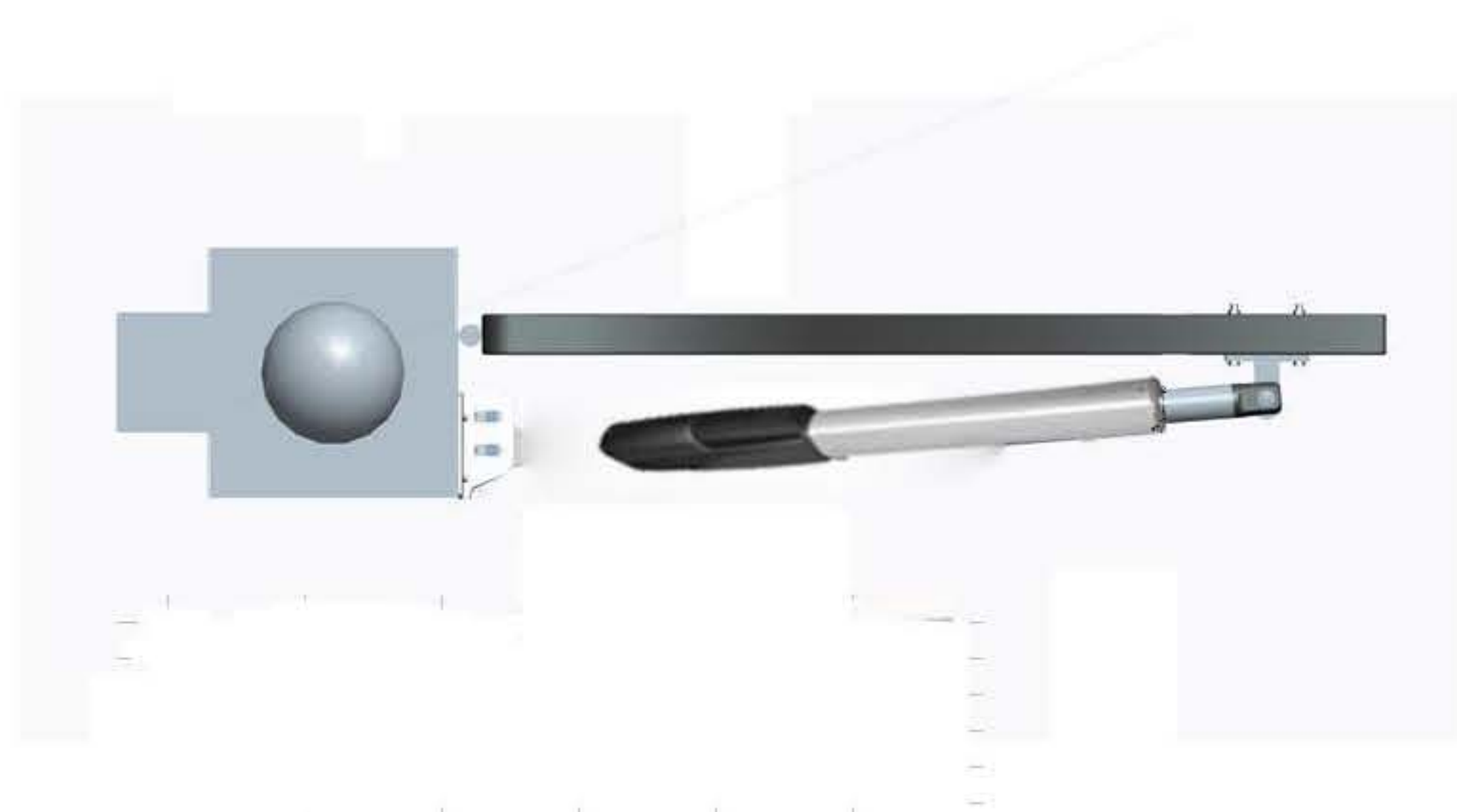
Step 3

KIT SW850 **SWING GATE OPENER**



Swing direction(open out)

Swing direction(open in)



Step 4

KIT SW850 SWING GATE OPENER Quick Installation Guide



Swing open out

Right $A > B$
Wrong $A < B$

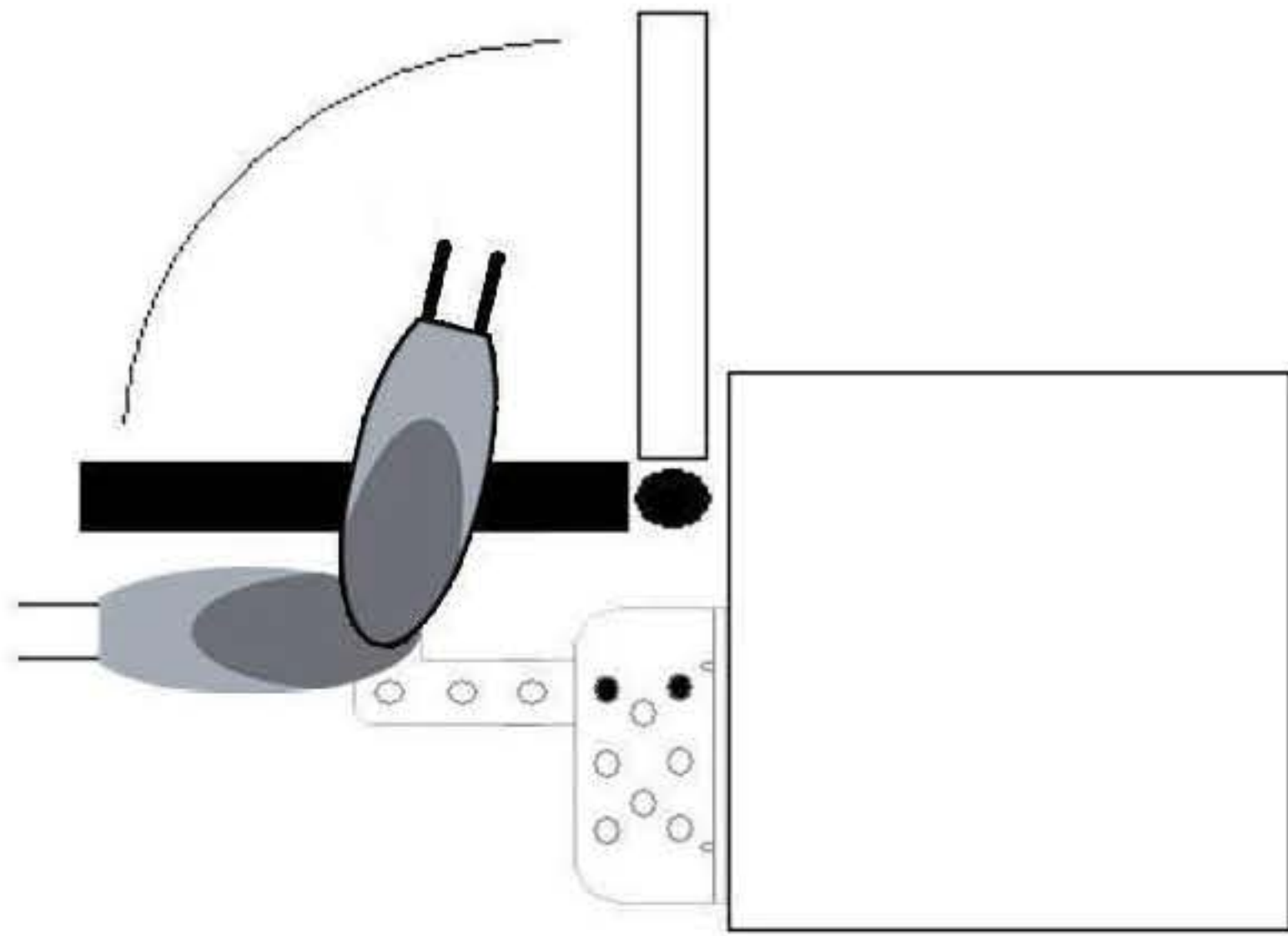


Swing open in

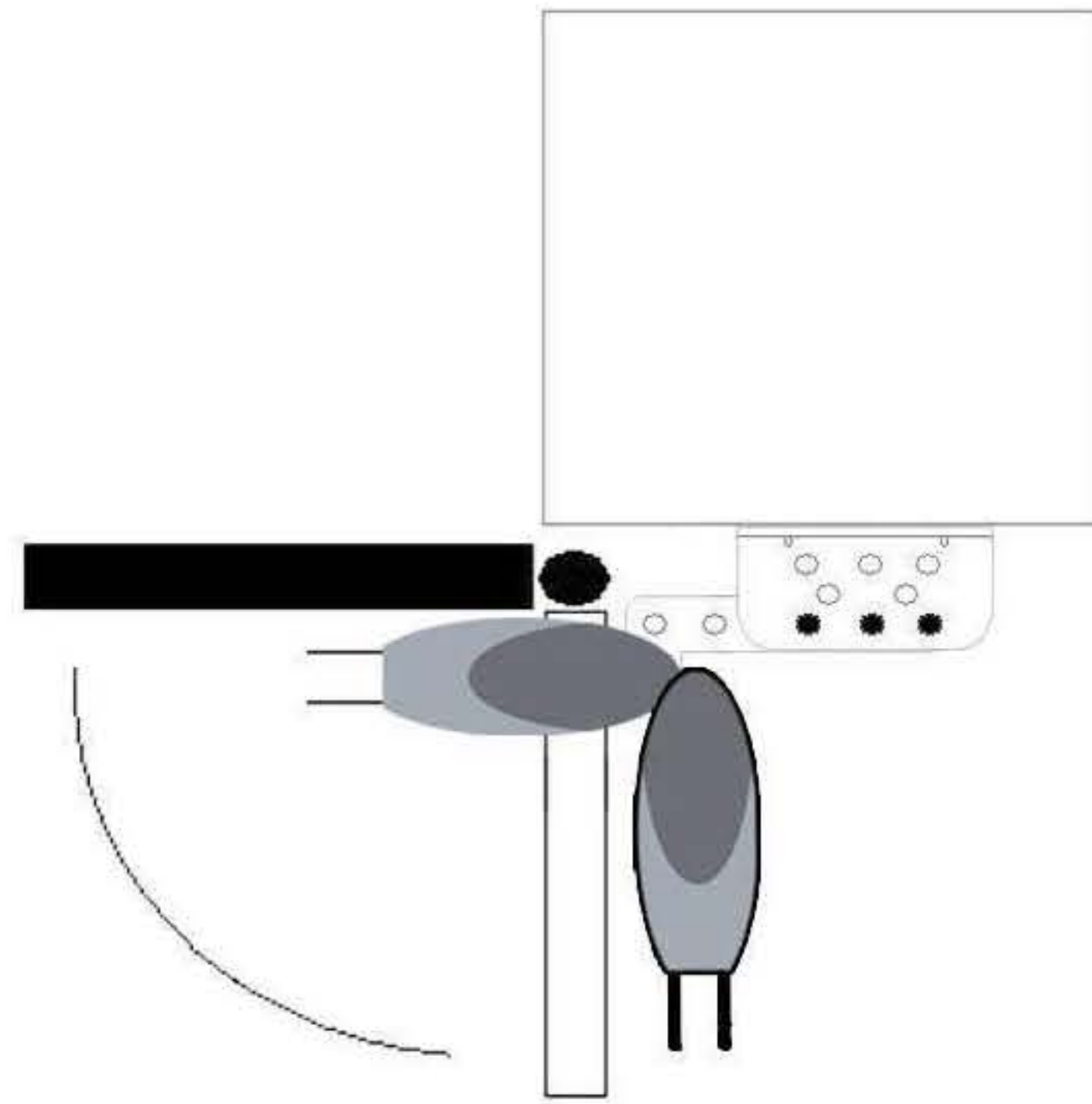
Right $A > B$
Wrong $A < B$

Step 4

KIT SW850 **SWING GATE OPENERS** Quick Installation Guide

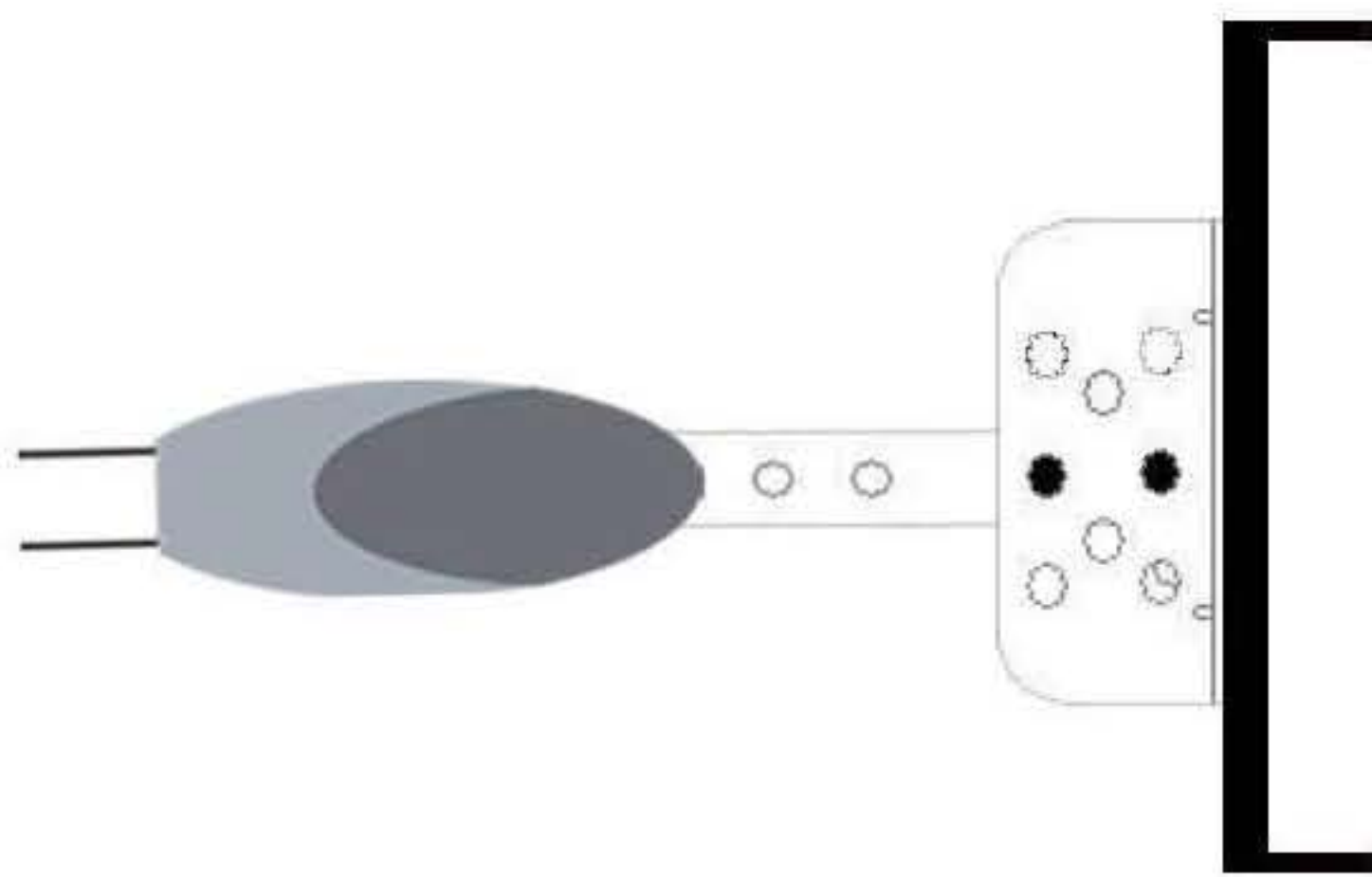


Swing open out

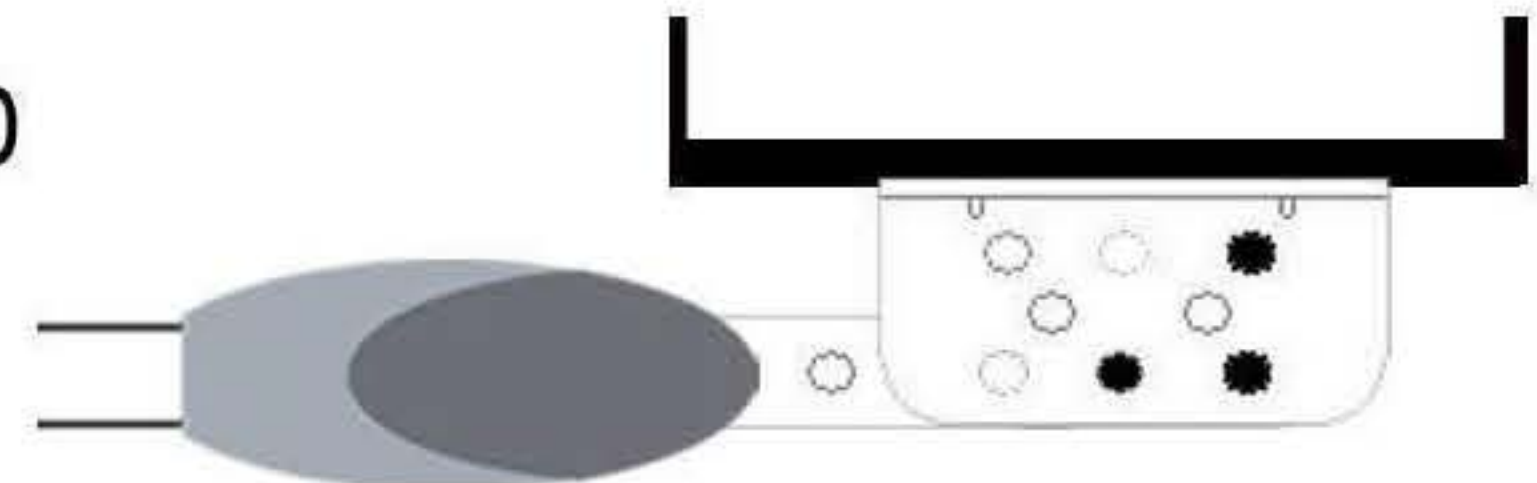


Swing open in

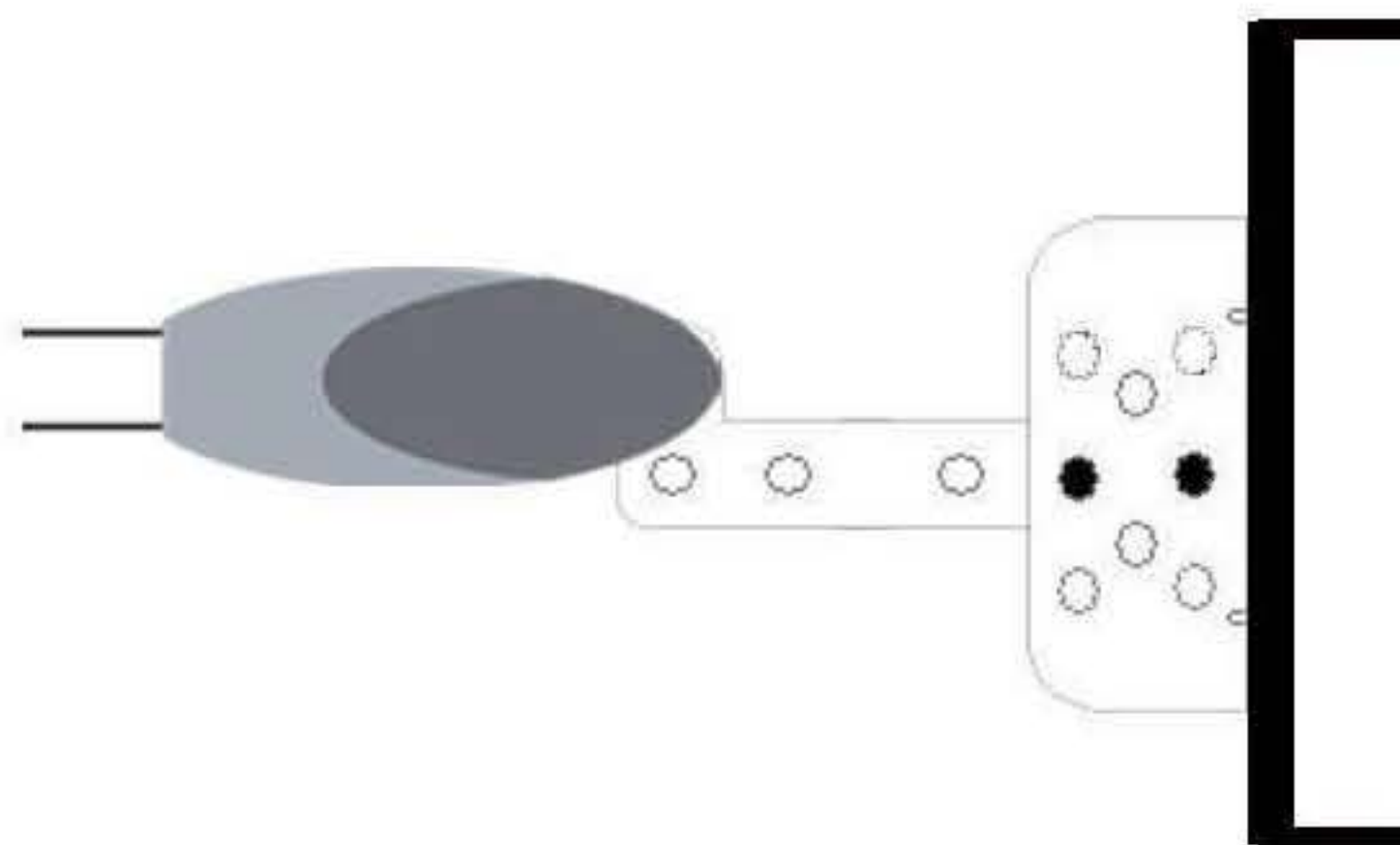
Max. 100



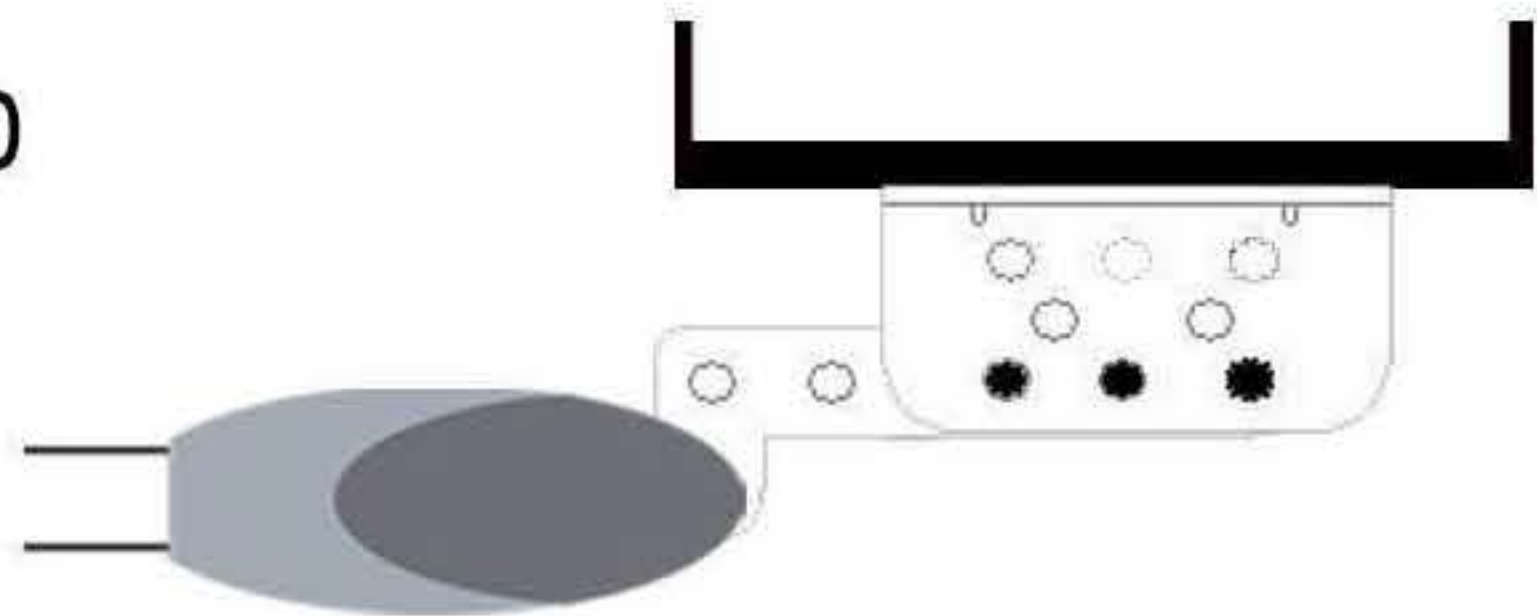
Max. 100



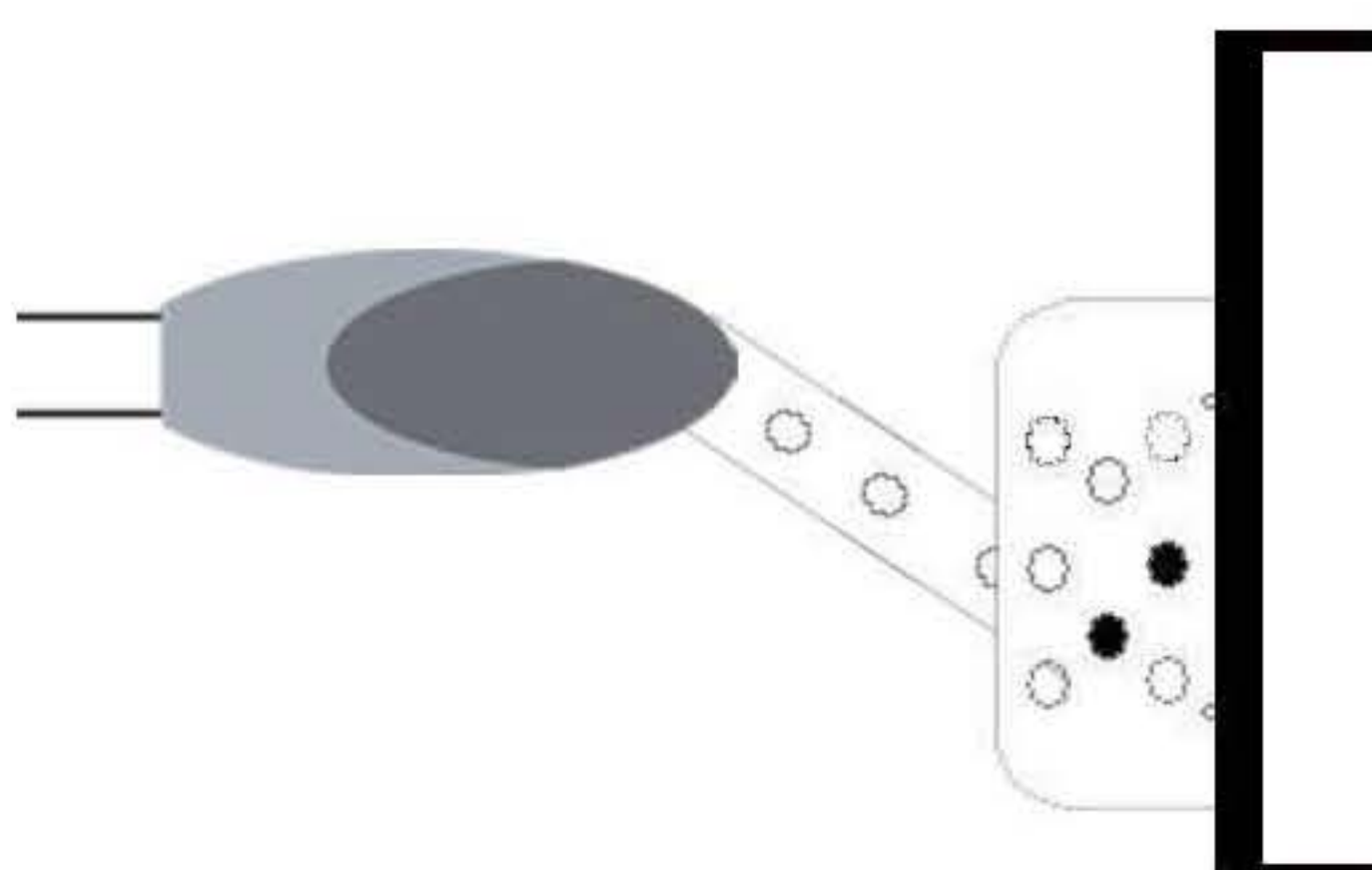
Max. 120



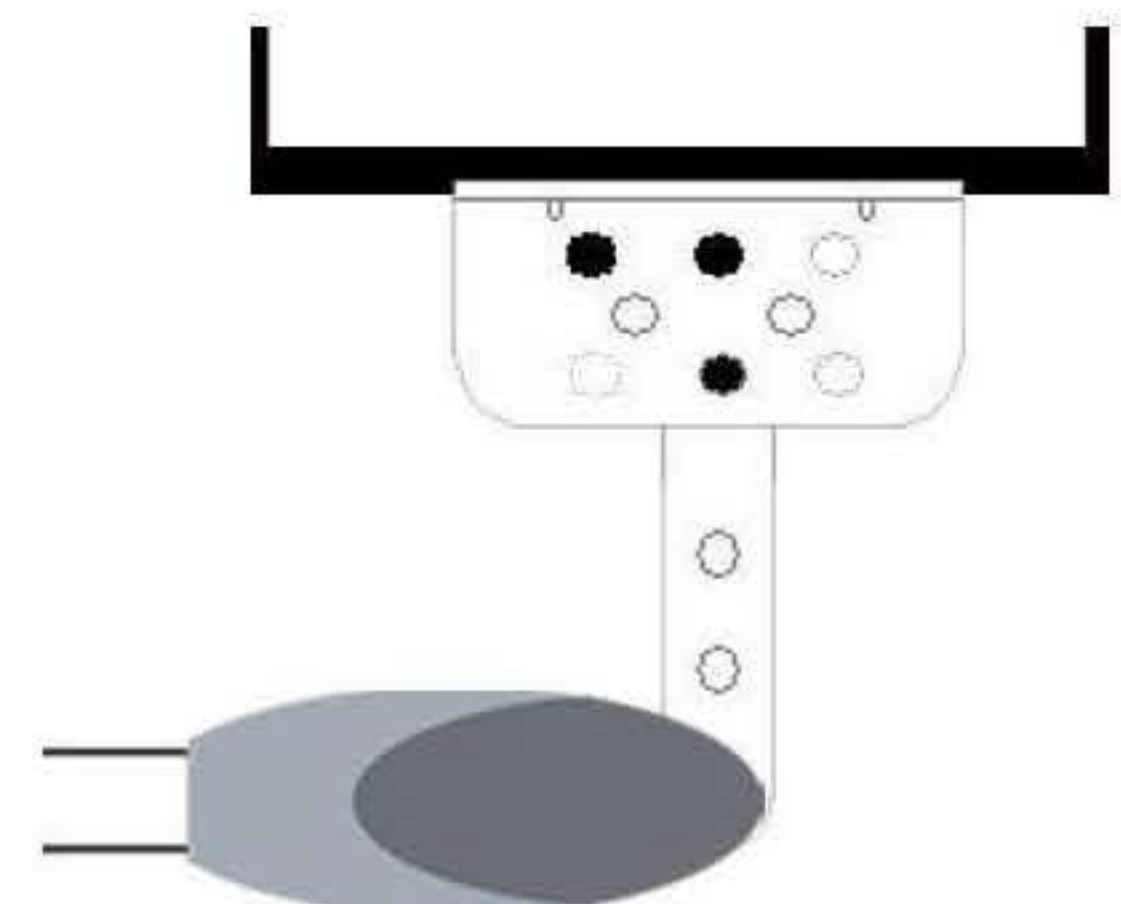
Max. 120



Max. 130



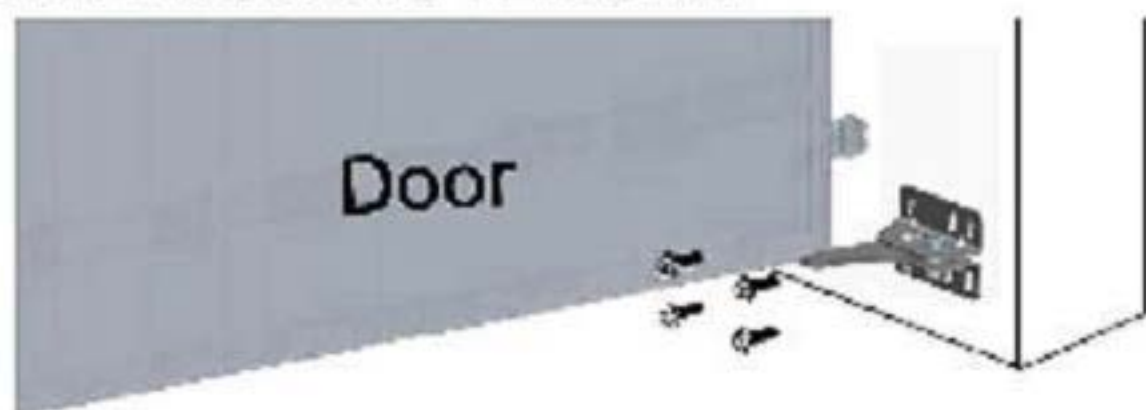
Max. 130



Step 4

KIT SW850 **SWING GATE OPENERS** **Quick Installation Guide**

Fix Wall Bracket and "L" Bracket



Fix "T" Bracket

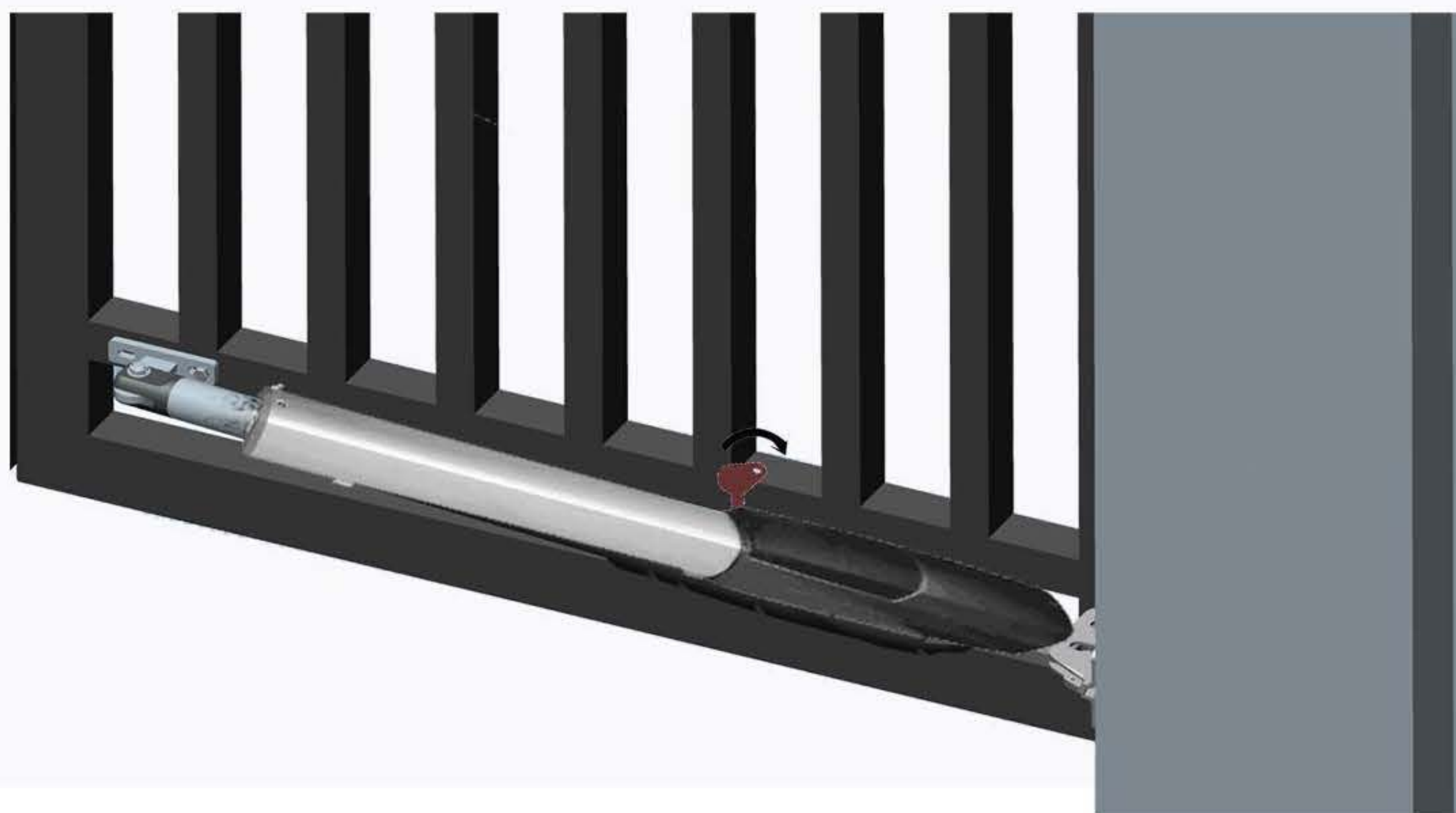
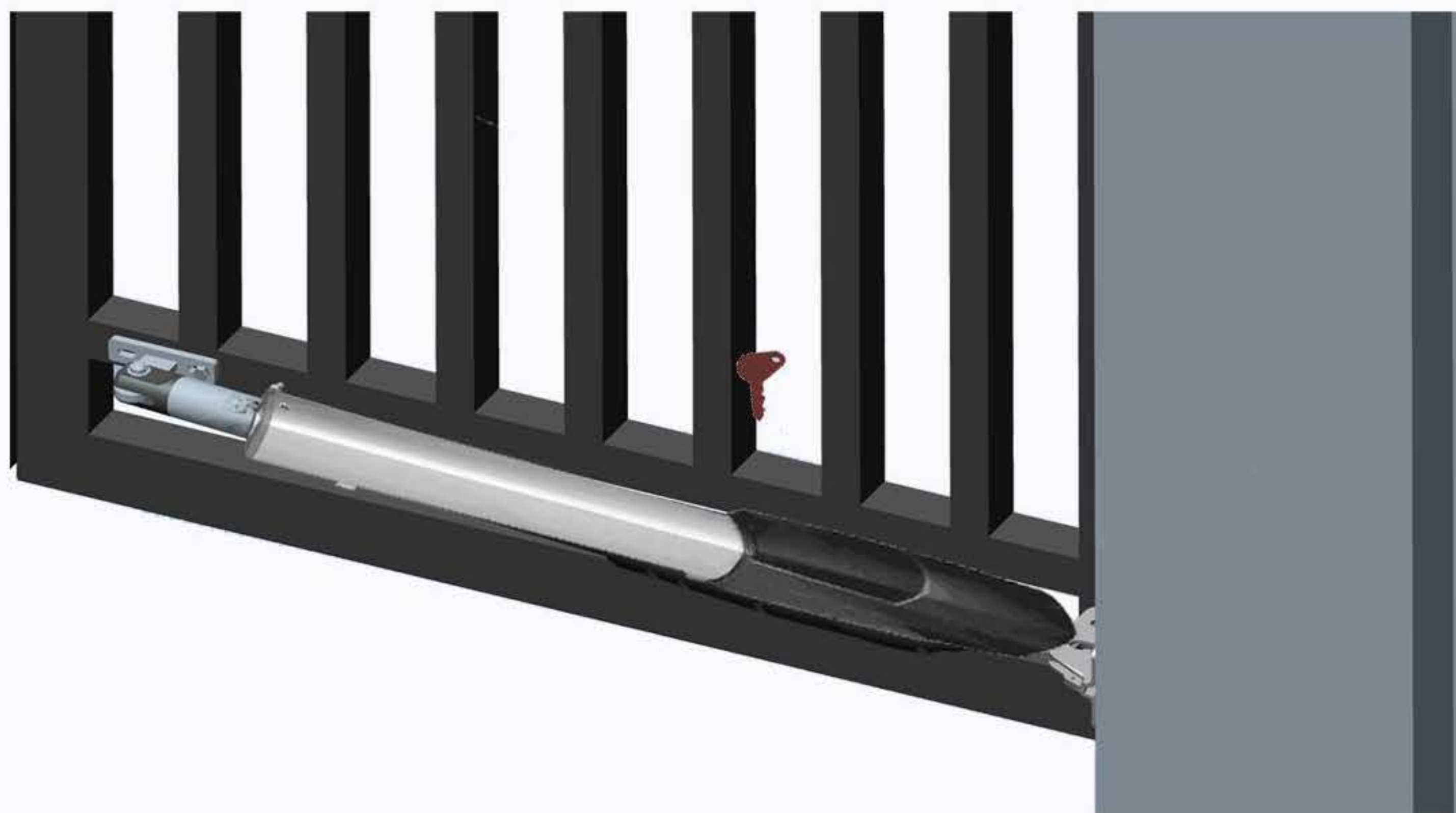


Fix Motor



Step 5

KIT SW850 **SWING GATE OPENERS** Quick Installation Guide



Step 6

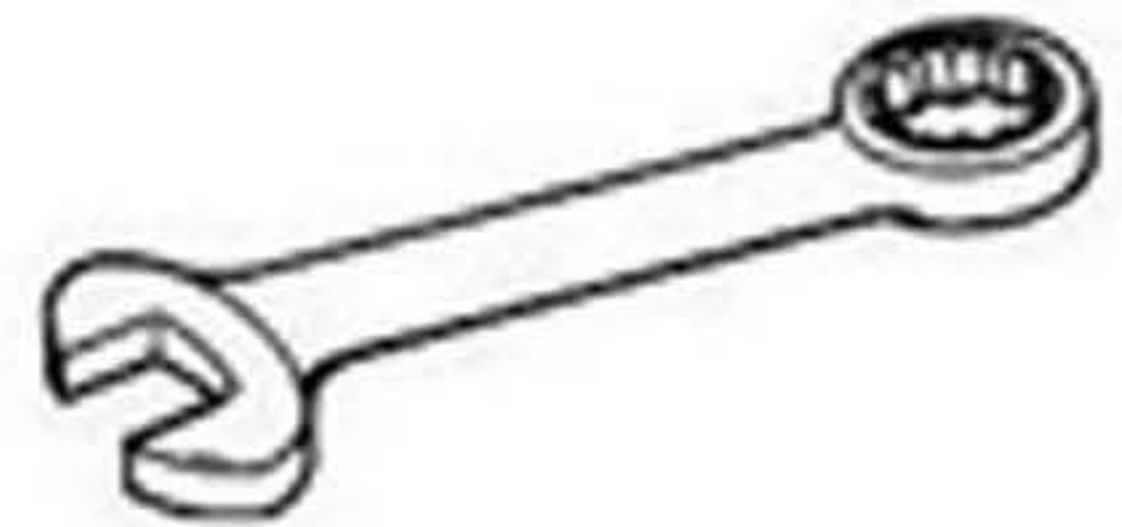
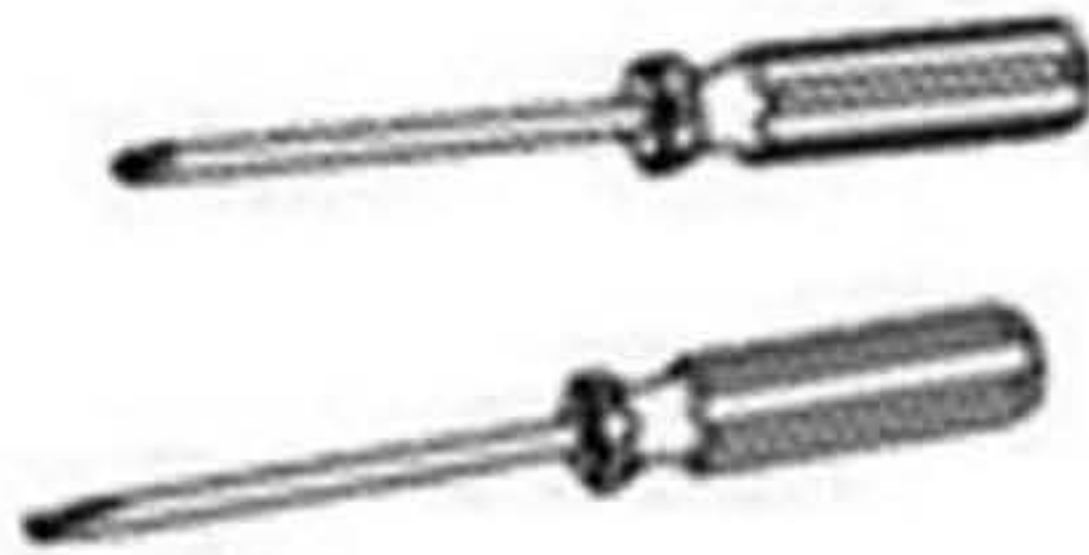
KIT SW850

SWING GATE OPENERS

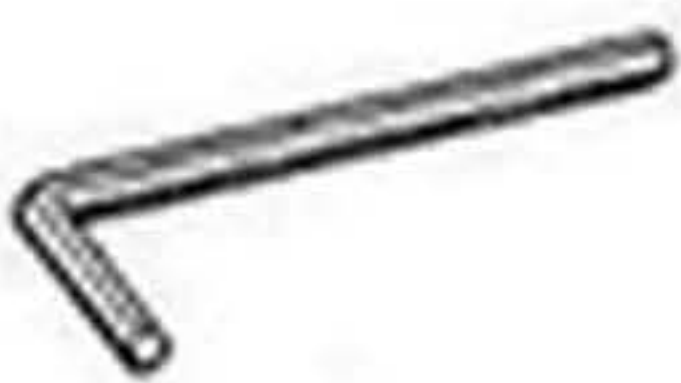
Tools:

Make sure you have all tools and materials needed to install the system; make sure that they are in good condition and serviable according to safely standards.

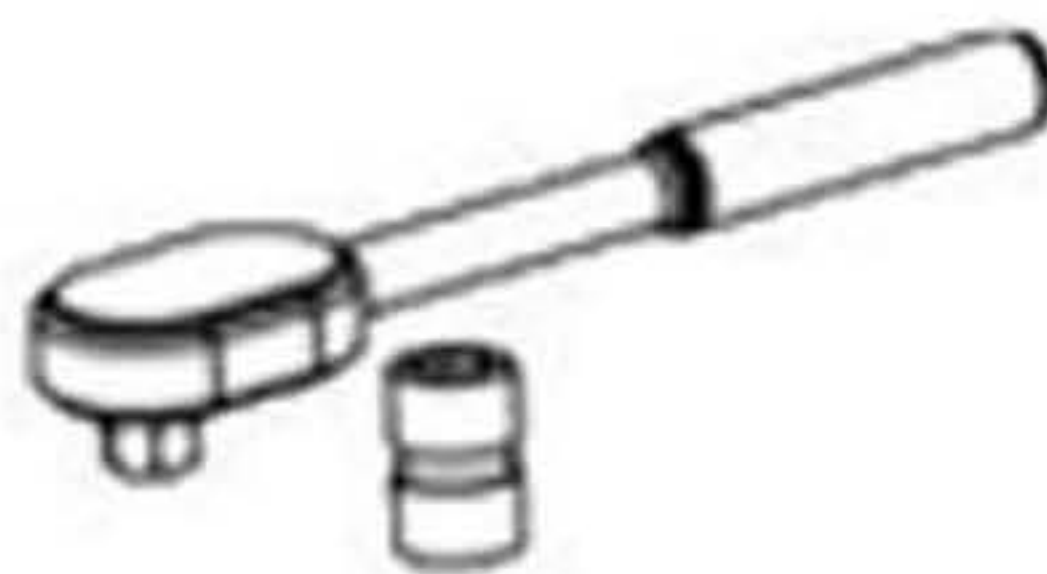
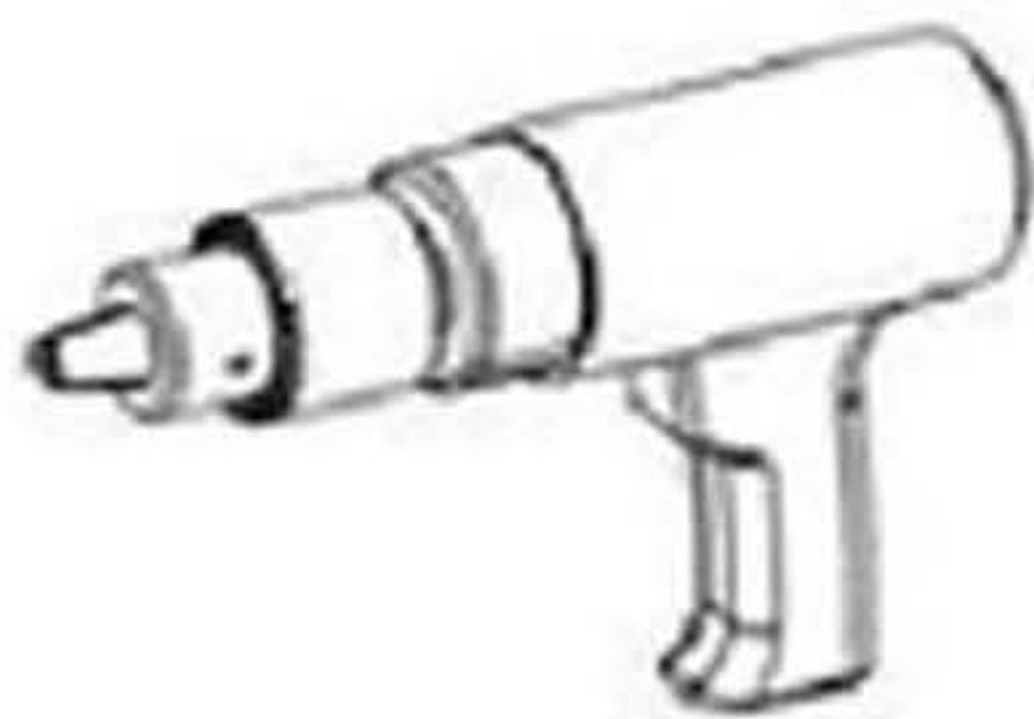
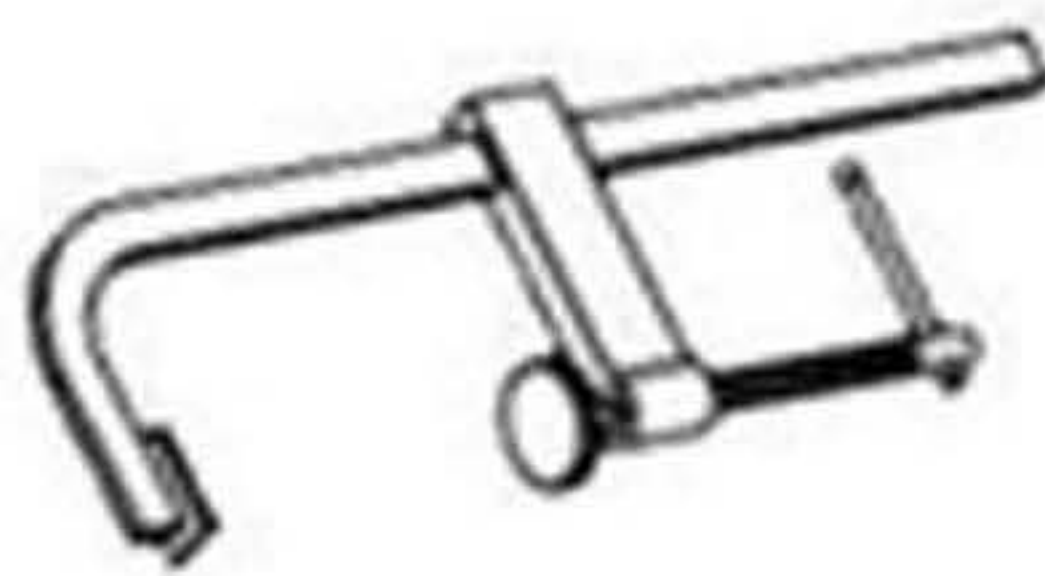
For examples:



#17



M5



#17



∅ 10 * 100mm



M10 * 80mm

